

# New AUDIO<sup>T.M.</sup>

M-27BT

Bluetooth wireless speaker™

## USER MANUAL



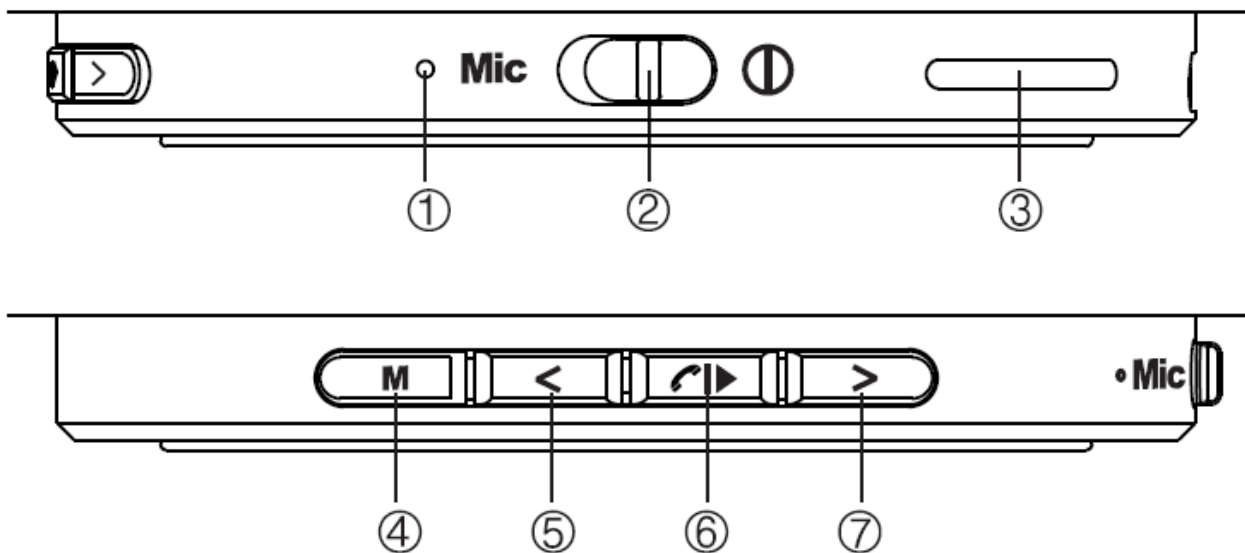
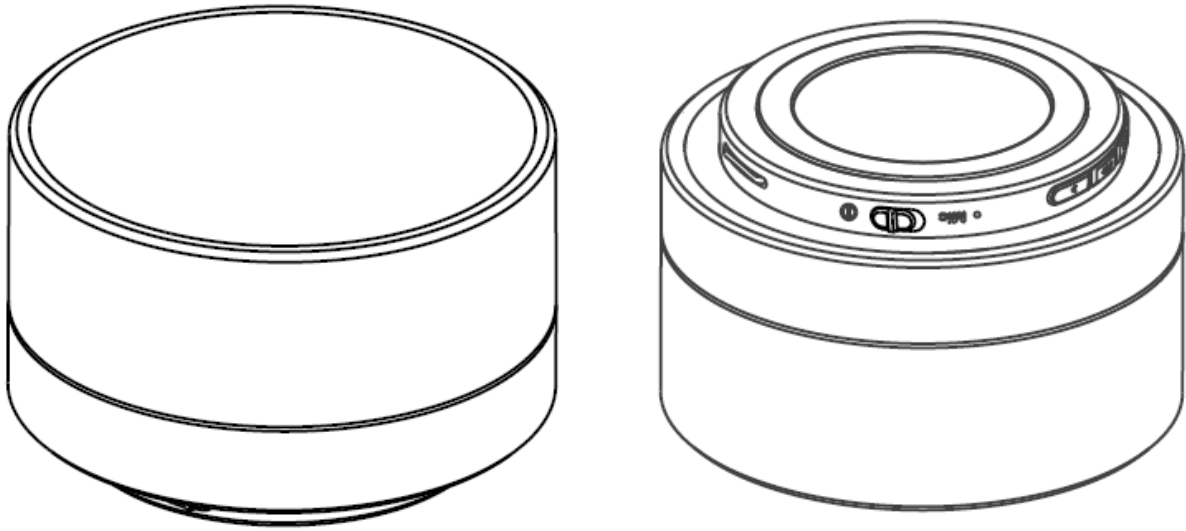
Thank you for choosing the M-27BT portable speaker from NEW AUDIO™. The M-27BT features a unique design and excellent sound quality.

Before using, please read the user manual carefully.

## INCLUDED:

- wireless speaker
- micro USB cable - USB + small 3.5mm jack (AUX audio line-in)  
(also works as an FM antenna)
- user manual

## CONTROL BUTTONS:



1. Microphone
2. ON / OFF power switch
3. TF memory card reader (microSD)
4. **M** - MODE switch (Bluetooth™ - TF card - FM radio - AUX)
5. **<** reducing volume (VOL-) / reversing to previous track
6. **▶** PLAY / Pause / Phone button (play / pause / phone)
7. **>** increase volume (VOL+) / scroll to the next song

## Power on.

Move switch 1 to the right (ON) position to turn on the power. A blue backlight appears. To turn off, move switch 1 to the left -off position - blue lights will go off and the speaker will turn off.

## Pair with a Bluetooth device™ .

Before you can use the speaker, pair it with a Bluetooth-enabled device™ (such as a smartphone, tablet, computer, other bluetooth-enabled)

1. When switched on, the speaker will enter Bluetooth mode: the blue LED will flash quickly.
2. On a Bluetooth device, in the list of Bluetooth devices, select the M-27BT
3. When paired, the blue LED will turn off.

## Speaker function selection - M button (MODE) - 4

By pressing the 4 (M) button one by one, you can switch between the operating modes of the speaker: Bluetooth - TF card - FM radio - AUX mode.

## Play songs (Bluetooth™ device or memory card TF/microSD).

Short press of button 6 (Play / Pause / Phone) - interrupt the song being played (pause) - another short press - restart (play).

Short press of the 5 button ( < ) - go to the previous song, longer press - decrease the volume.

Short press of the button 7 ( > ) - go to the next song, longer press - increase the volume.

Playback control (play/pause/scroll) from a Bluetooth device™ only possible if the device has a Bluetooth standard that supports these functions.

## Answer a phone call.

In case of an incoming phone call, the blue LED will remain on.

- to answer the call, briefly press button 6.
- to reject the call, press and hold the 6.
- to end the call, press the 6 button briefly again.

At the end of the call, you can re-dial the call to the last dialed number by pressing the 6.

During a phone call, you can switch the call from bluetooth speaker to phone by pressing the 6 button for 1 second. You can switch the call back to the Bluetooth™ by pressing the 6 button again for 1 second.

## FM Radio.

fm radio mode, connect the USB cable, which acts as an antenna. Connect the micro USB plug to the micro USB jack of the speaker. Expand and arrange the cable accordingly for the best reception.

Long press 6 play/pause button - start automatically searching for all received radio stations.

Switch between radio stations - by briefly pressing the fast forward or rewind buttons - 5 and 7 ( < / > ).

## Play from TF memory card.

When you select TF with the 4 (M - mode) button, insert the TF memory card into the

speaker's TF port. The speaker will automatically switch to playback mode from the memory card.

### **AUX mode (audio line input - AUX Line in).**

AUX mode allows you to listen to songs through the speaker from another external audio playback device, equipped with small 3.5mm small jack output jack (headphone jack or AUX output), such as smart phone, mp3 mp4 player, CD player, boombox, etc..

Plug the micro USB cable plug into the micro USB speaker jack, then plug the 3.5mm Small Jack plug into the small 3.5mm jack output jack (e.g. headphone or aux, aux line out) MP3/MP4/smart phone/or other music playback device.

### **Charging the battery.**

The M-27BT has a built-in rechargeable battery.

First charge: After purchase, please fully charge the battery.

Connect the charging cable (micro USB plug) to the micro USB jack of the speaker, connect the second USB connector of the cable to the USB port of the PC (or the corresponding USB network charger purchased separately) to charge the speaker battery.

- While charging, the LED will turn red.
- When charging is complete, the LED will go out.

The operating time of the speaker on a fully charged battery depends on usage and voice strength. Increasing the power of the voice means increasing the power consumption and reducing the operating time of the device on a fully charged battery.

Sound disturbances, interruptions and decreases in dynamics and sound power usually mean that the battery is discharged. In this case, fully charge the battery immediately.

Storing and using equipment at low temperatures results in reduced performance and accelerated discharge and battery consumption.

The battery should be charged fully regularly depending on the intensity of use, recharge regularly even during prolonged non-use of the equipment, and do not allow the battery to be completely discharged. Detailed instructions for safe use of the battery can be found later in the manual.

### **IMPORTANT NOTES ON CHARGING THE BATTERY**

- Only micro USB DC5V port is used for charging.
- The battery charging process takes about 3 hours.
- Talk time on a charged battery - up to about 2 hours.
- Play time on charged battery - up to approx. 3 hours.
- Use the battery at temperatures from 5°C to 35°C.
- Never expose the battery to high temperatures - above 40°C - there is a risk of explosion.
- Battery life depends on how you use your device.
- The battery wears out and may be shorter over time.
- If you do not use the battery, it will automatically discharge.

Care should be taken to the environmentally compliant disposal of used batteries and/or accumulators. Used batteries and/or accumulators must not be disposed of together with other waste; must be forwarded to the appropriate return points for used batteries and accumulators.

## INSTRUCTIONS FOR SAFE USE OF THE LI-ION BATTERY .

The device has a built-in Li-ion battery. The battery device must not be heated, thrown into a fire, exposed to very low temperatures or exposed to any liquid. Do not open or interfere with the battery structure.

- Dispose of the used appliance at a specialist disposal point.
- The battery is subject to normal wear during use. Battery life when fully charged is reduced over time. This is normal for all these types of devices.
  - Battery life depends on how you use the device; primarily from factors such as voice power, operating modes and functions used, ambient temperature, continuity of use or intermittent use.
- The battery also discharges when the device is not in use.
- If you do not use the device for an extended period of time, charge the battery regularly. Completely discharging the battery and leaving it in a discharged state for an extended period of time shortens the battery life and may damage the battery.
- Always charge the battery up to full charge. Incomplete charging shortens battery life.
- Do not discharge the battery until the end. Full discharge may damage the battery and shorten battery life.
- The battery must not be overloaded. The charging must be completed immediately after the charging time specified in the device manual has elapsed. Some devices have the function of automatically turning off charging when fully charged.
- Neither the seller nor the manufacturer shall be liable for any damages resulting from improper handling of the battery.
- Due to its natural wear, the battery is covered by a shortened 6-month warranty of the manufacturer. In case of premature battery wear due to improper or very heavy use, the battery must be replaced by a specialist service.

## TECHNICAL SPECIFICATION:

- \* Bluetooth version: V5.0
- \* Hands Free function - hands-free device
- \* charging voltage from USB port: DC 5V
- \* Battery: 400mAh
- \* operating range: up to 10 m depending on the conditions.
- \* speaker output power: 3W, impedance 4Ω

### **THE PRODUCT MAY DIFFER FROM THE PICTURE SHOWN ON THE PACKAGING.**

*The technical characteristics, appearance and equipment of the device are subject to change without notice. This is due to the continuous improvement of the product and the attention to attractive.*



**IT IS FORBIDDEN TO DISPOSE OF WASTE ELECTRICAL AND ELECTRONIC EQUIPMENT TOGETHER WITH OTHER NON-SORTIC MUNICIPAL WASTE**

In accordance with Directive 2002/98/EC of the European Union, waste electrical and electronic equipment may not be disposed of with other household waste and must be transferred to an organisation or other entity involved in the collection and treatment of waste electrical and electronic equipment.

In order to properly dispose of harmful substances and process them, the user is obliged to donate the used product at the collection point of the waste electrical and electronic equipment. To do this, contact your local authority, city cleanup unit or retailer.

Proper handling of waste electrical and electronic equipment shall contribute to avoiding the harmful consequences for human health and the environment resulting from the presence of hazardous components and the improper storage and processing of such equipment.

**DECLARATION OF CONFORMITY**

Nr EMM 159 / 11 / 2018

EMMERSON Spółka z ograniczoną odpowiedzialnością Sp.K.

UL. ZACISZNA 6

63-200 JAROCIN

hereby declares that the following product:

M-27BT - portable speaker

complies with the provisions of the Directive:

2014/53/UE

harmonised standards have been applied (Test Standards):

Safety EN60950-1: 2006 + A2:2013

Health EN 62479: 2010

EMC ETSI EN 301 489-1 V2.2.0 (2017-03)

ETSI EN 301 489-17 V3.2.0 (2017-03)

Radio EN 300 328 V2.1.1 (2016-11)

These products, on the basis of this Declaration, are intended for use in Poland.

Jarocin, ul. Zaciszna 6, dnia 23.11.2018

Last two digits of the year of the CE marking: 18

EMMERSON

ul. Zaciszna 6

63-200 Jarocin – POLSKA

[www.emmerson.com.pl](http://www.emmerson.com.pl)

[poczta@emmerson.com.pl](mailto:poczta@emmerson.com.pl)

## WARRANTY CONDITIONS

1. The warranty period is 24 months from the date of sale indicated on the proof of purchase. Defects or defects of the goods revealed during this period will be removed free of charge in accordance with the terms of the warranty. If the equipment is replaced for a new warranty period, it will be re-dated from the date of replacement of the product by Emmerson.
2. The warranty is valid only in the territory of the country where the product was purchased.
3. The performance standards of the product shall be deemed to be the manufacturer's.
4. As part of the warranty provided, the manufacturer undertakes to repair, if necessary, replace the equipment free of charge, or in justified cases the inability to repair or replace, to agree to a refund of cash for the purchased product, within 21 working days from the date of acceptance of the equipment by the Emmerson Service. In justified cases (e.g. complicated repair, need to bring a spare part) the deadline for handling the complaint and warranty repair may be extended.
5. The manufacturer limits its warranty obligations to repair or replace the advertised equipment, which is decided solely by the Emmerson Service. The manufacturer is not responsible for damage to other objects and/or devices of a real and virtual nature. In addition, any claims arising out of the under-usability of the products, the coverage of losses or lost profits due to damage, equipment failure and all other liability.
6. Complaints should be made as soon as a defect is detected. The product complaint must be submitted at the place of purchase or the advertised product must be sent directly to the Emmerson Service for consideration of the complaint. The cost of delivering the product to the service is covered by the Buyer. If the product is shipped to the Emmerson Service, the product should be packed in the original packaging if the Buyer owns it, or packaged in such a way as to ensure a safe shipment of equipment. Emmerson service is not responsible for damage to equipment that occurred during transportation to the Service.
7. Terms of acceptance of the complaint by the Emmerson Service:
  - delivery of equipment in complete condition
  - delivery of a valid, completed warranty card (for products sold with a warranty card) or confirmation of purchase of the product (fiscal receipt or VAT invoice containing the date of purchase, product name and seller's details),
  - providing a clear description of the defect/malfunction of the advertised product.
8. The warranty expires in the event of:
  - end of warranty period,
  - cancellation of the warranty card (for products sold with a warranty card)
  - violations, damage, breaking of warranty seals, if there are any
  - change, violate, delete the serial number of the device, if the number is on the device
  - technical changes to the product or to establish any other unauthorized interference with the product..
9. The warranty does not cover the natural wear and tear of the product and its individual components, damage or malfunction of equipment resulting from improper use, any mechanical, chemical and thermal damage to the housing, external and internal components and components as well as defects caused therein, flooding with liquid or other substance, other damage and defects specified under the warranty conditions.

*Before sending the product, we recommend that you contact the service and report any problems in the operation of the equipment, the found defect / malfunction of the equipment or any questions regarding the use and operation of the equipment.*

**SERWIS EMMERSON**

ul. Zaciszna 6, 63-200 Jarocin - Polska  
tel. +48 (62) 505 45 45 fax. +48 (62) 505 28 27  
[serwis@emmerson.com.pl](mailto:serwis@emmerson.com.pl)

**New** **AUDIO**<sup>T.M.</sup>

[www.newaudio.pl](http://www.newaudio.pl)

COPYRIGHT © ALL RIGHTS RESERVED - PRAWNIE CHRONIONE / CHRONIONE PRAWEM  
AUTORSKIM / by EMMERSON SPJ ZACISZNA 6, 63-200 JAROCIN POLAND  
© COPYRIGHT ALL RIGHTS RESERVED - PROPRIETARY / COPYRIGHT  
© Copyright Tous droits réservés - BREVET / COPYRIGHT  
© Copyright Alle Rechte vorbehalten - EIGENTUMS / URHEBERRECHT  
© COPYRIGHT TODOS LOS DERECHOS RESERVADOS - PROPIETARIO / COPYRIGHT